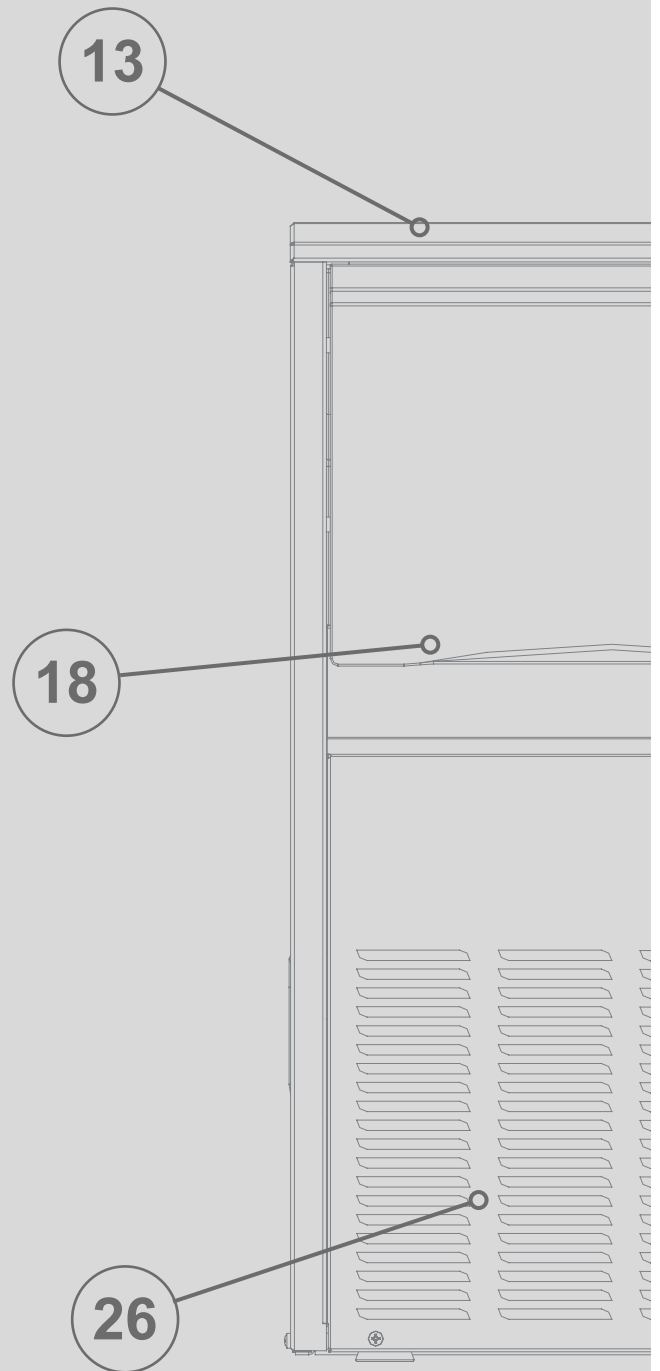


# Catalogo Ricambi - Spare parts list

C54 (R290) ALL GAS

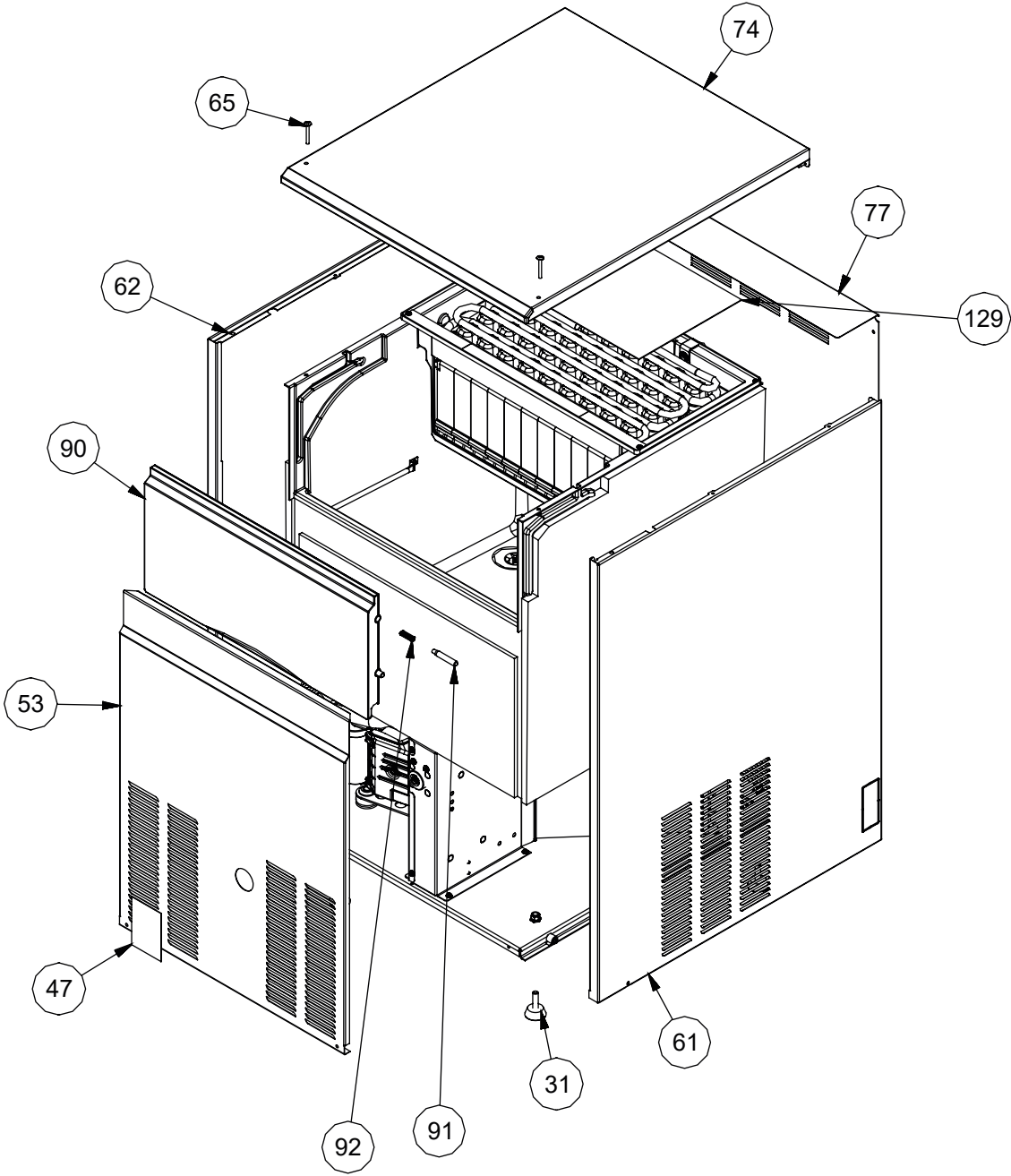
Produttori di ghiaccio a spruzzo - Spray Ice Makers

IT / EN

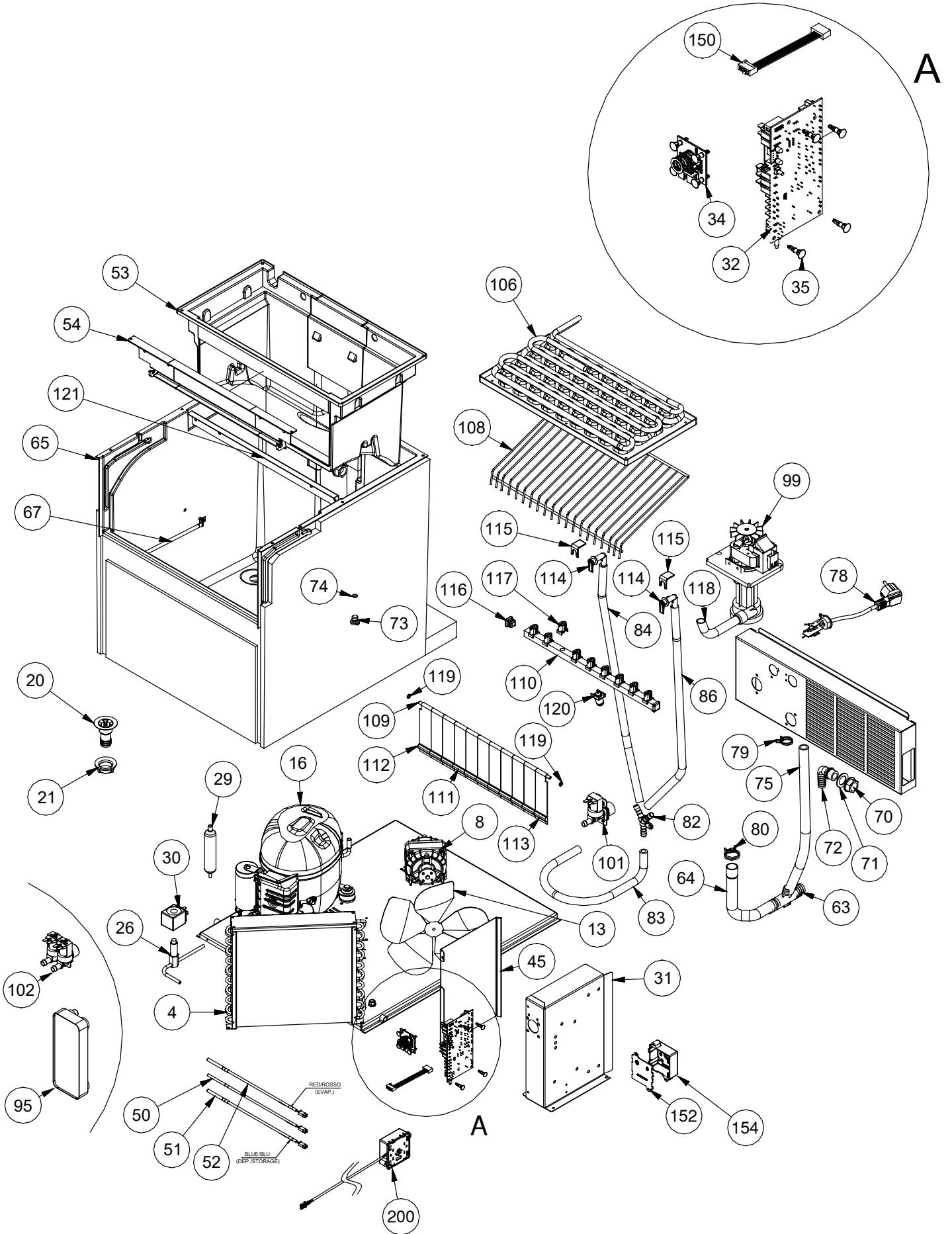


Code - code	R290
CM81401442-0	SCHEDA DI POTENZA PROGRAMMATA - ALLGAS <b>ARIA</b> R290 230/50
	PROGRAMMED PC BOARD - ALLGAS <b>AIR</b> R290 230/50
	CARTE DE PUISSANCE PROGRAMMÉE - ALLGAS <b>AIR</b> R290 230/50
CM81401444-0	SCHEDA DI POTENZA PROGRAMMATA - ALLGAS <b>ACQUA</b> R290 230/50
	PROGRAMMED PC BOARD - ALLGAS <b>WATER</b> R290 230/50
	CARTE DE PUISSANCE PROGRAMMÉE - ALLGAS <b>EAU</b> R290 230/50

Code - code	R134a
CM81401443-0	SCHEDA DI POTENZA PROGRAMMATA - ALLGAS <b>ARIA</b> R134a 230/50
	PROGRAMMED PC BOARD - ALLGAS <b>AIR</b> R134a 230/50
	CARTE DE PUISSANCE PROGRAMMÉE - ALLGAS <b>AIR</b> R134a 230/50
CM81401445-0	SCHEDA DI POTENZA PROGRAMMATA - ALLGAS <b>ACQUA</b> R134a 230/50
	PROGRAMMED PC BOARD - ALLGAS <b>WATER</b> R134a 230/50
	CARTE DE PUISSANCE PROGRAMMÉE - ALLGAS <b>EAU</b> R134a 230/50



	N°	CODICE/CODE	IT	EN
	31	CM81502119/0	ASS. PIEDINO BASAMENTO	LEG STAND ASSY.
	47	CM33489647-0	MEMBRANA TASTO CAPACITIVO	MEMBRANE CAPACITIVE KEY
	53	CM25610284-0	PRESA ARIA FRONTALE	FRONT AIR INTAKE PANEL
	61	CM25330946/0	FIANCO DESTRO	RIGHT SIDE PANEL
	62	CM25330947/0	FIANCO SINISTRO	LEFT SIDE PANEL
	65	CM25825011/0	VITE M4X35	SCREW M4X35
	74	CM81301072/0	COPERCHIO MACCHINA	MACHINE COVER PANEL
	77	CM25700074/0	PANNELLO POSTERIORE	BACK PANEL
	90	CM81301057/0	ASS. PORTA NERA 40-50	BLACK DOOR ASSY 40-50
	90	CM81301139/0	ASS. PORTA BLU 40-50	BLUE DOOR ASSY 40-50
	90	CM81301224/0	ASS. PORTA GRIGIA 40-50	GREY DOOR ASSY 40-50
	91	CM25560160/0	PERNO PORTA	DOOR PIN
	92	CM25474590/0	MOLLA PERNO PORTA	DOOR PIN SPRING
	129	CM25160594/0	COPERCHIO PLASTICA EVAP. 40-50	EVAP.PLASTIC COVER 40-50



★ Ricambio suggerito / suggested spare parts

	N°	CODICE/CODE	IT	EN
⊗	4	CM19177130-0	CONDENSATORE AD ARIA R290	AIR CONDENSER R290
⊗	4	CM19177141-0	CONDENSATORE AD ARIA	AIR CONDENSER
⊗	8	CM18562579/0	MOTORE VENTIL. CONDENSATORE	CONDENSER FAN MOTOR
	13	CM18740024/0	VENTOLA COND. 230 mm 31°	COND. FAN BLADE 230 mm 31°
⊗	16	CM19166112/0	COMPRESSORE R290	COMPRESSOR R290
⊗	16	CM19165885/0	COMPRESSORE R134A	COMPRESSOR R134A
	20	CM25685311/0	SCARICO DEPOSITO	BIN DRAIN
	21	CM25360200/0	GHIERA SCARICO	NUT DRAIN
	26	CM19863033/0	VALVOLA GAS CALDO	HOT GAS VALVE
⊗	29	CM19300804/0	FILTRO GAS R290	GAS FILTER R290
⊗	30	CM19053102/0	BOBINA PER VALVOLA GAS	GAS VALVE COIL
	31	CM25725253-0	SCATOLA ELETTRICA	ELECTRIC BOX
⊗	32	CM81401442-0	SCHEDA DI POT. PROGR.ARIA R290 50Hz	PROGR.PC BOARD SPRAY AIR R290 50Hz
⊗	32	CM81401443-0	SCHEDA DI POT. PROGR.ARIA R134A 50Hz	PROGR.PC BOARD SPRAY AIR R134A 50Hz
⊗	32	CM81401444-0	SCHEDA DI POT. PROGR.ACQUA R290 50Hz	PROGR.PC BOARD SPRAY WATER R290 50Hz
⊗	32	CM81401445-0	SCHEDA DI POT.PROGR.ACQUA R134A 50Hz	PROGR. PC BOARD SPRAY WATER R134A 50Hz
⊗	34	CM33580361/0	TASTO CAPACITIVO	CAPACITIVE BUTTON
	35	CM33200001-0	DISTANZIALE SCHEDA	CARD SPACER
	45	CM25725254-0	COPERCHIO SCATOLA ELETTR.	COVER ELECTR, BOX
⊗	50	CM33580380-0	SONDA TEMP. CONDENSATORE	CONDENSER TEMP. PROBE
⊗	51	CM33580381-0	SONDA TEMP. DEPOSITO	STORAGE TEMP. PROBE
⊗	52	CM33580383-0	SONDA TEMP. EVAPORATORE	EVAPORATOR TEMP. PROBE
	53	CM81301081/0	ASS. CONTEN. EVAP.	EVAPORATOR BIN ASSY.
	54	CM81301181/0	PARATIA TENDINE EVAPORATORE	EVAPORATOR CLOSER UPPER
	63	CM25685312/0	SCARICO MACCHINA	DISCHARGE MACHINE
	64	CM25782082/0	TUBO SCARICO DEPOSITO	STORAGE DISCHARGE PIPE
	65	CM81301080/0	DEPOSITO DEL GHIACCIO ISOLATO	INSULATED ICE STORAGE
	67	CM25767048/0	TUBO PORTA SONDA DEPOSITO	PROBE HOLDER PIPE BIN
	70	CM26103879/0	DADO 1/2"	NUT 1/2"
	71	CM19350514/0	GUARNIZIONE 20X32X2	SEAL 20X32X2
	72	CM19560231/0	PORTAGOMMA CURVO 1/2"X16	CURVED HOSE HOLDER 1/2"X16
	73	CM25730503/0	TAPPO SCARICO VASCHETTA	BIN CAP DRAIN
	74	CM41020448/0	GUARNIZIONE O-RING	O-RING
	75	CM25781548/0	TUBO SCARICO TROPPO PIENO	OVERFULL PIPE
	78	CM81300024/0	ASS. CAVO ALIMENTAZIONE	POWER CORD ASSEMBLY
	79	CM19281337/0	STRINGITUBO A MOLLA D19,6	CLAMP SPRING D19,6
	80	CM19281326/0	STRINGITUBO A MOLLA D28	CLAMP SPRING D28
	82	CM19250009/0	RACCORDO 3 VIE	3-WAY FITTING
	83	CM38778802/0	TUBO INGR. ACQUA L= 500 mm	WATER INLET PIPE L= 500 mm
	84	CM38778802/0	TUBO INGR. ACQUA L= 500 mm	WATER INLET PIPE L= 500 mm
	86	CM38778802/0	TUBO INGR. ACQUA L= 500 mm	WATER INLET PIPE L= 500 mm
⊗	95	CM19180654-0	CONDENSATORE AD ACQUA R290	WATER CONDENSER R290
⊗	95	CM81301692-0	CONDENSATORE AD ACQUA R134A	WATER CONDENSER R134A
⊗	99	CM81301318-0	ASSIEME POMPA ACQUA ATEX 50 HZ	WATER PUMP ATEX ASSY 50 HZ
⊗	99	CM81301319-0	ASSIEME POMPA ACQUA ATEX 60 HZ	WATER PUMP ATEX ASSY 60 HZ

	N°	CODICE/CODE	IT	EN
⊛	101	CM19865542/0	VALV. ENTR.ACQUA (VERS. ARIA) R290	WATER INLET VALVE (AIR VERS.) R290
⊛	101	CM19865518/0	VALV. ENTR. ACQUA (VER.ARIA) R134A	WATER INLET VALVE (AIR VERS.) R134A
⊛	102	CM19865551/0	VALV.ENTR.ACQUA(VERS. ACQUA) R290	WATER INLET VALVE (WATER VERS.) R290
⊛	102	CM19865548/0	VALV.ENTR.ACQUA(VERS. ACQUA) R134a	WATER INLET VALVE (WATER VERS.) R134a
⊛	106	CM81301014-T	ASS. EVAPORATORE 36 CUB	EVAPORATOR ASSY 36 CUB.
	108	CM25700412/1	SCIVOLO CUBETTI GHIACCIO	ICE CUBE CHUTE
	109	CM25782036/0	PERNO SUPPORTO ALETTE	SUPPORT WING PIVOT
	110	CM25782060/0	TUBO SPRUZZATORE	SPRAYER PIPE
	111	CM25040114/0	ALETTA PARASPRUZZI	SPLASH STOP FIN
	112	CM25040113/0	ALETTA SX PARASPRUZZI	LEFT SPLASH STOP FIN
	113	CM25040112/0	ALETTA DX PARASPRUZZI	RIGHT SPLASH STOP FIN
	114	CM25600011/0	TUBO ENTRATA ACQUA EVAP.	PIPE WATER INLET EVAP.
	115	CM25600012/0	FERMO TUBO ING. ACQUA EVAP.	LOCK PIPE WATER INLET EVAP.
	116	CM25728002/0	TAPPO PER SPRUZZATORE	SPRAYER CAP
	117	CM25799003/0	UGELLO SPRUZZATORE	SPRAYER NOZZLE
	118	CM25782078/0	TUBO POMPA SPRUZZATORE	SPRAYER-PUMP PIPE
	119	CM25653027/0	RONDELLA BLOCCA TENDINE	CURTAIN BLOCK WASHER
	120	CM25782027/0	TUBO INGR. SPRUZZATORE	SPRAYER INLET PIPE
	121	CM81301181/0	PARATIA TENDINE EVAPORATORE	EVAPORATOR CLOSER UPPER
	150	CM33580369-0	PIATTINA TASTO-SCHEDA	CAPACITIVE BUTTON - PC BOARD PLATE
	152	CM25690264-0	COPERCHIO SCATOLA TASTO CAPA- CITIVO	CAPACITIVE KEY BOX COVER
	154	CM25690263-0	SCATOLA TASTO CAPACITIVO	CAPACITIVE KEY BOX
⊛	200	CM81450272-0	ASS. GATEWAY+CAVETTO	GATEWAY+CABLE ASSY

Il costruttore si riserva il diritto di apportare modifiche sia tecniche che estetiche senza preavviso. The manufacturer reserves the right to change models and specifications without prior notice.

71504164/0 - rev. 05 06/2022 - Spare parts Spray System ALL GAS